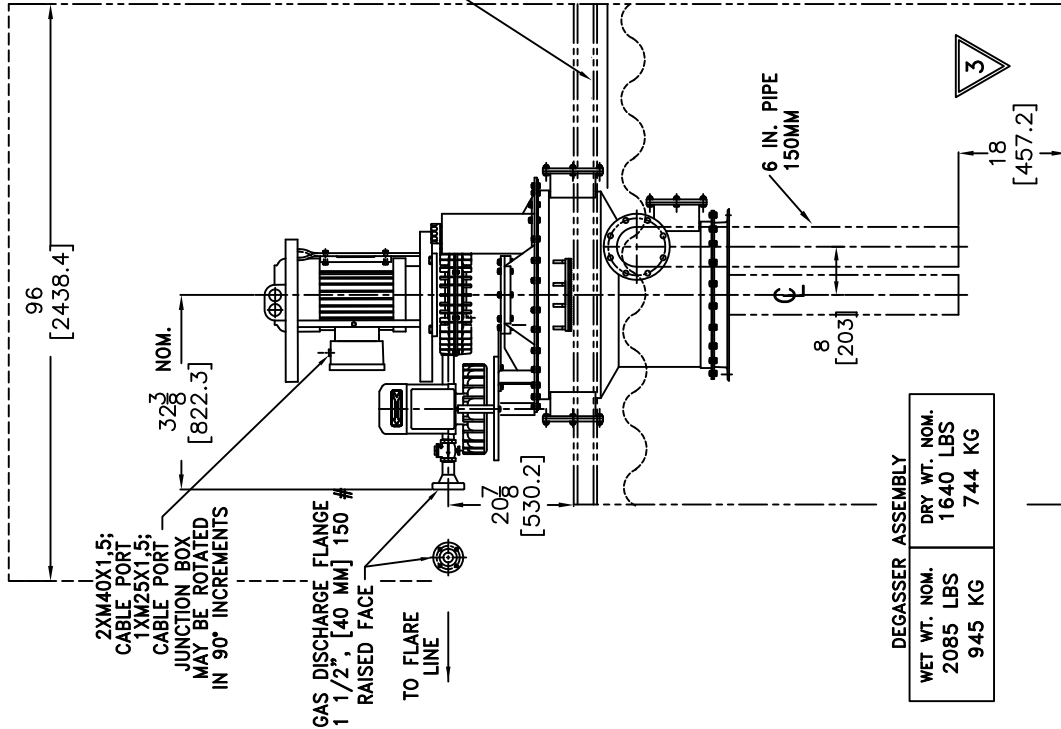


RECOMMENDED SERVICE & MAINTENANCE CLEARANCE

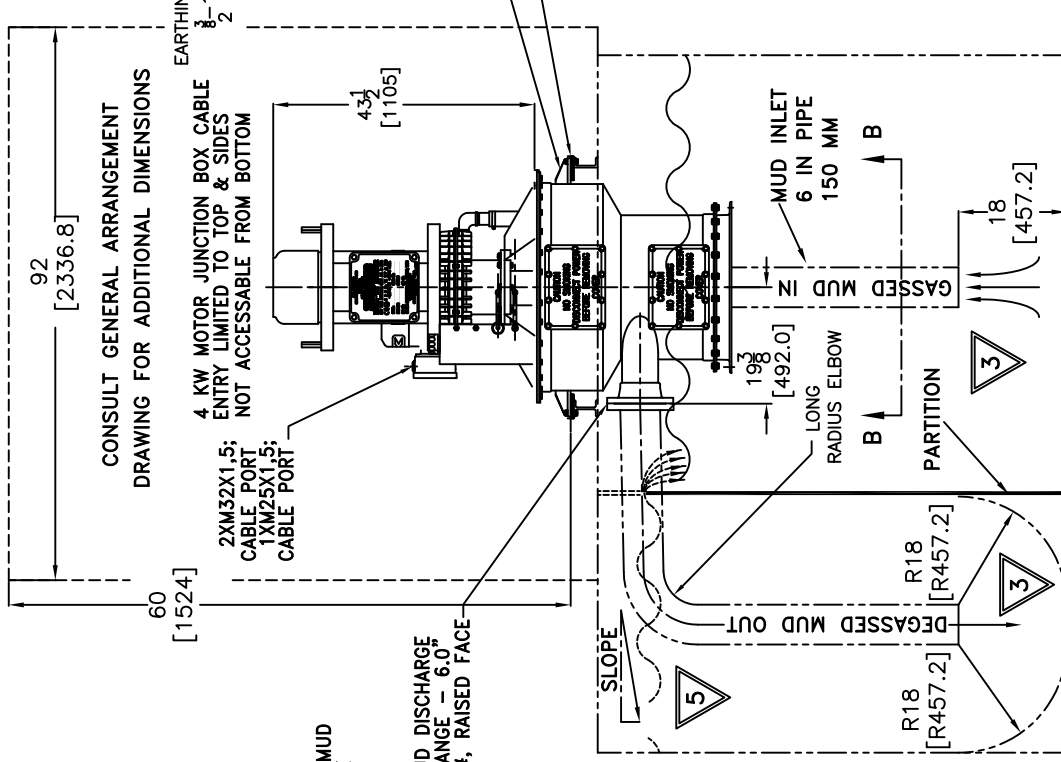


DEGASSER ASSEMBLY	
WET WT. NOM.	2085 LBS
DRY WT. NOM.	1640 LBS
	945 KG
	744 KG

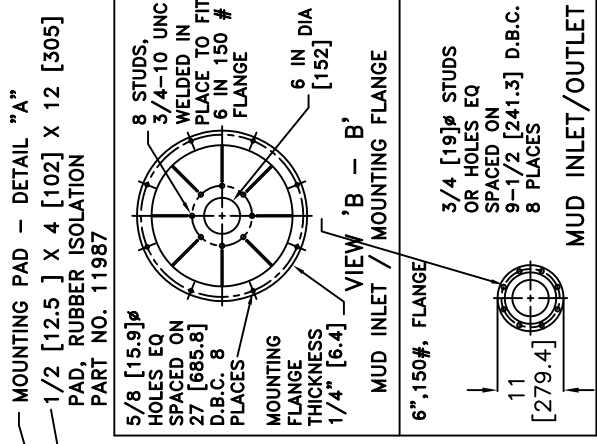
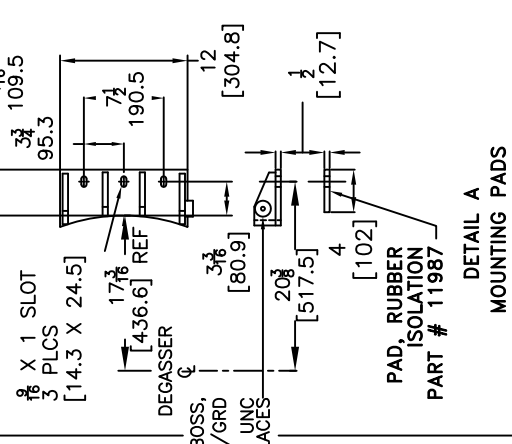
NOTES:

1. DIMENSIONS ACCURATE WITHIN $\pm 1/8$ [3 MM] UNLESS OTHERWISE SPECIFIED.
2. PIPE AND SUPPORT SUPPLIED BY OTHERS. SHOWN BY PHANTOM LINES
3. CLEARANCE OF 18" [457 MM] MINIMUM MUST BE MAINTAINED AROUND THE END OF BOTH MUD INTAKE LINE AND MUD DISCHARGE LINE IN ALL DIRECTIONS
4. FOR PROPER OPERATION AND PERFORMANCE BOTH MUD INTAKE LINE AND MUD DISCHARGE LINE MUST BE SUBMERGED BELOW THE MUD SURFACE
5. RECOMMENDED SLOPE OF THE MUD DISCHARGE LINE = 1 IN. DROP PER 8 FT. RUN = 10.5 MM DROP PER 1 M. RUN

RECOMMENDED SERVICE & MAINTENANCE CLEARANCE



WELD CROSS IN
MUD INLET 1/4" [6.4] TYP
ROUND BAR OR 1/4
X 3/4 [6.4 X 19 MM]
FLAT BAR AS SHOWN
TO EXCLUDE OBJECTS



MANUFACTURER
BURGESS MANUFACTURING, LTD.
HOUSTON, TEXAS
PATENTS & PATENTS PENDING
3973930-3999965-4084946
4872530
U.S. & FOREIGN

REV.	DATE	DESCRIPTION	BY	CHECKED
		BURGESS MANUFACTURING, LTD.		
THIS DOCUMENT, WHETHER CONTAINING PATENTABLE OR NONPATENTABLE INFORMATION, IS THE PROPERTY OF BURGESS MANUFACTURING, LTD. IT IS LOANED IN CONFIDENCE WITH THE UNDERSTANDING THAT IT WILL NOT BE REPRODUCED, USED OR DISCLOSED FOR ANY PURPOSE EXCEPT THE LIMITED PURPOSE FOR WHICH IT IS LOANED. THIS DOCUMENT SHALL BE RETURNED TO BURGESS MANUFACTURING, LTD. UPON DEMAND.				
DRAWN BY: GDM		DATE: 02 FEB 07	DWG NO. 11969	
TITLE: INSTALLATION DRAWING		MODEL 1500 IEC CE ATEX, DNV W/ SOUNDSHIELD		