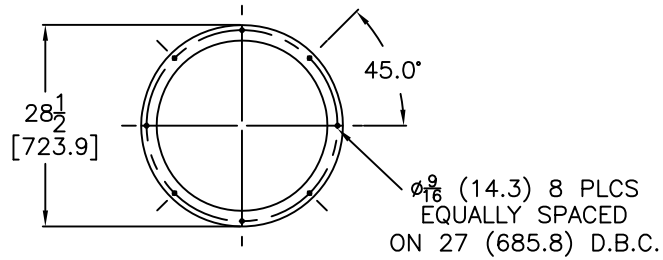
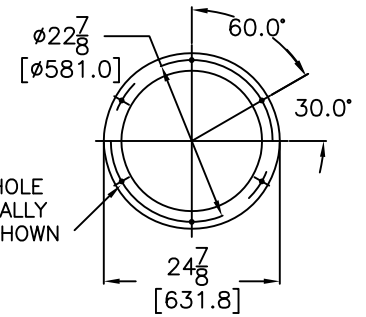


BURGESS MAGNA-VAC DEGASSER®

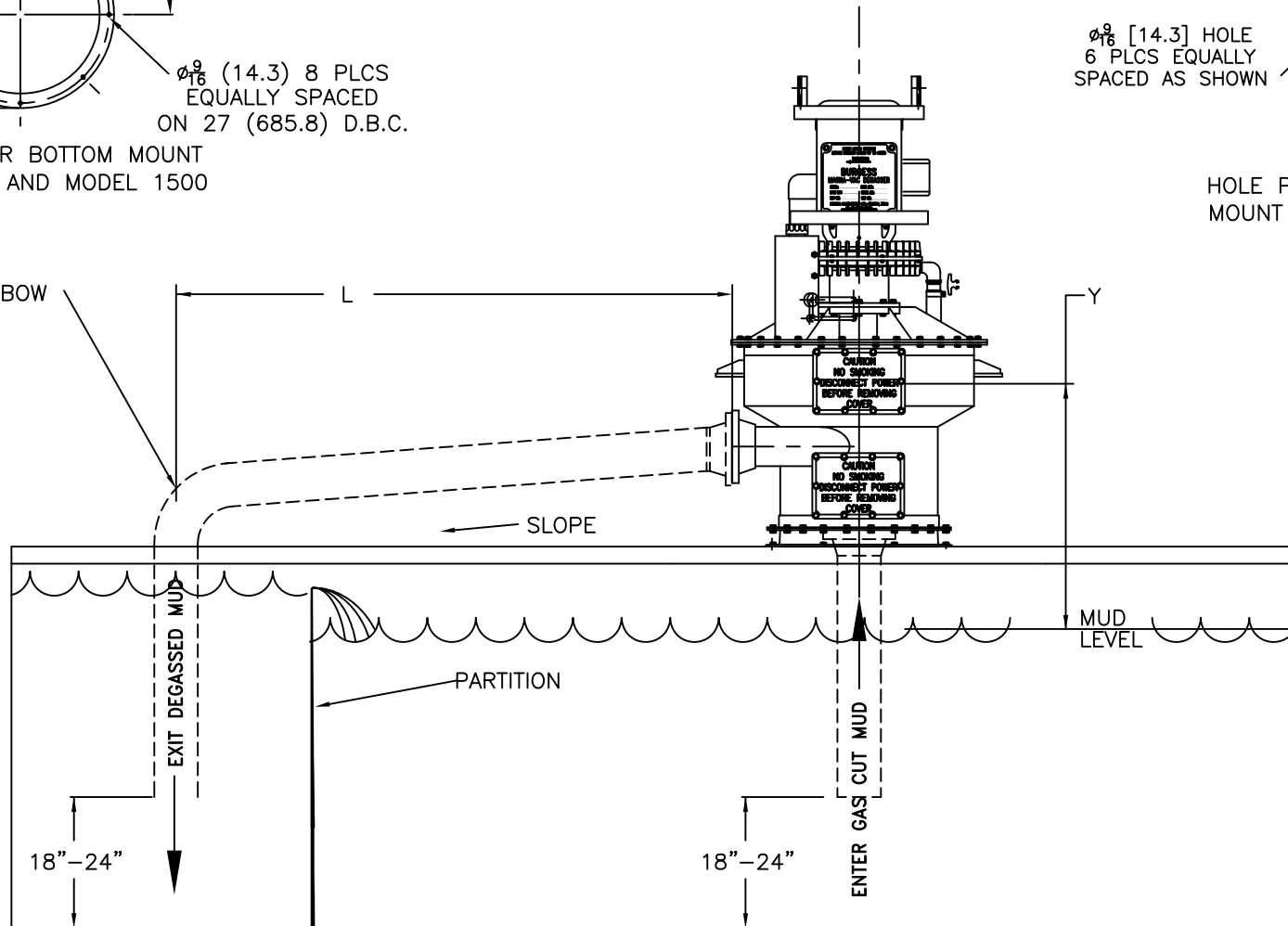


HOLE PATTERN FOR BOTTOM MOUNT
FOR MODEL 1000 AND MODEL 1500



HOLE PATTERN FOR BOTTOM MOUNT
FOR MODEL 500

LONG RADIUS ELBOW



1/4 INCH [6 MM] ROD OR 1/4 X 1/2 INCH
[6 X 13 MM] FLAT BAR WELDED
IN PLACE OVER THE INTAKE END.



NOTE

1. THE PERFORMANCE OF THE DEGASSER WILL DEPEND UPON THE VARIABLES "X", "Y", "L" AND MUD WEIGHT. PLEASE CONSULT WITH BURGESS ON THE PROPOSED SET-UP
2. L=10'-15' ARE JUST GENERAL NUMBERS THAT CAN CHANGE WITH THE OTHER VARIABLES.
3. DEGASSER MAY BE LOWERED UNTIL "Y" APPROCHES "0"
4. CABLING, PIPING, AND STARTERS PROVIDED BY OTHERS

REV.	DATE	DESCRIPTION	BY	CHECKED
BURGESS MANUFACTURING, LTD.				
<small>THIS DOCUMENT, WHETHER CONTAINING PATENTABLE OR NONPATENTABLE SUBJECT MATTER, EMBODIES THE PROPRIETARY AND CONFIDENTIAL INFORMATION OF BURGESS MANUFACTURING, LTD. IT IS LOANED IN CONFIDENCE WITH THE UNDERSTANDING THAT IT WILL NOT BE REPRODUCED, USED OR DISCLOSED FOR ANY PURPOSE EXCEPT THE LIMITED PURPOSE FOR WHICH IT IS LOANED. THIS DOCUMENT SHALL BE RETURNED TO BURGESS MANUFACTURING, LTD. UPON DEMAND.</small>				
TITLE			INSTALLATION, ALTERNATE III ALL MODELS	
DRAWN BY: GDM		DATE: 02 AUG 06	DWG NO. 11963	
APP'D:				

