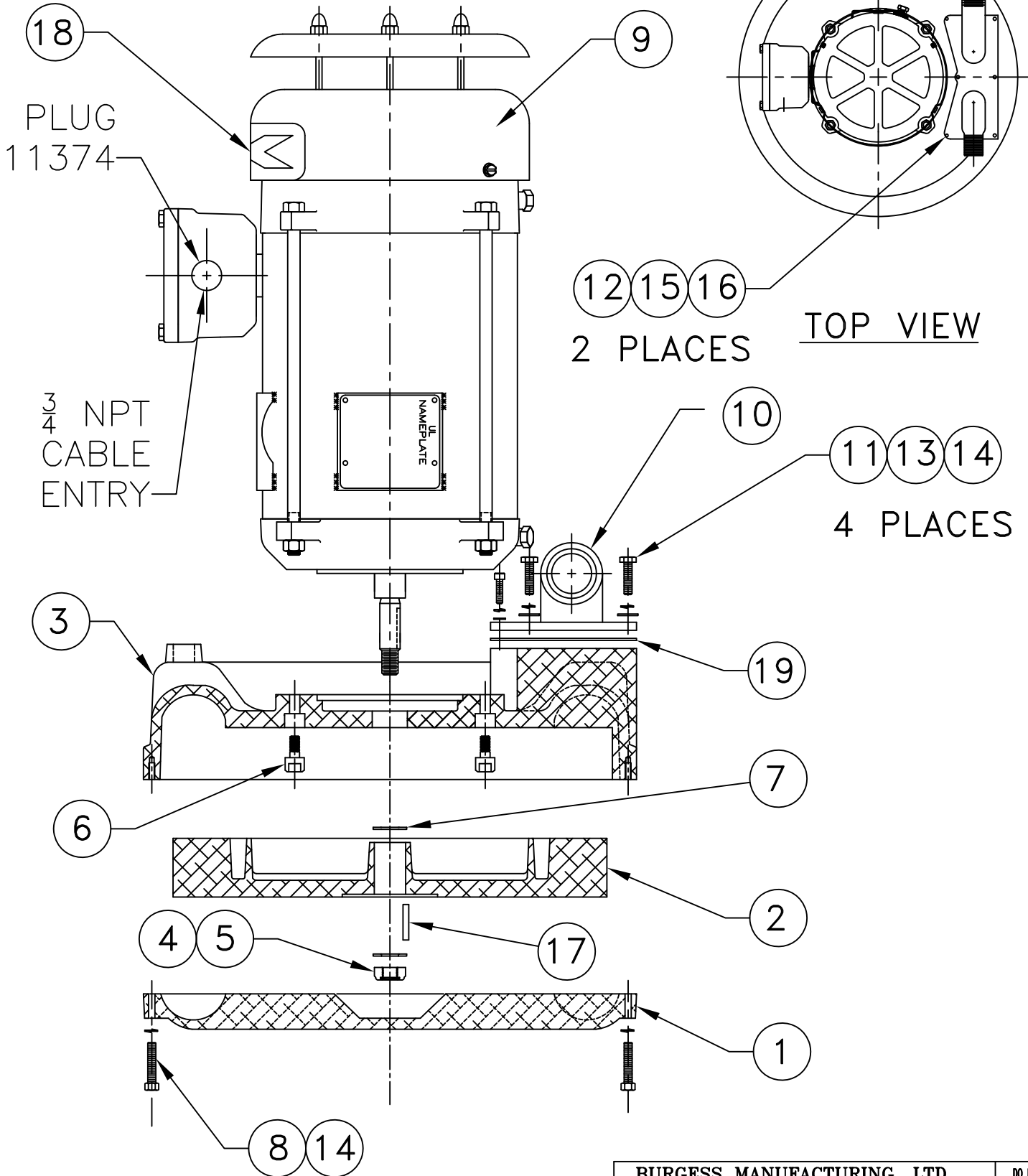


MOUNT DECAL ABOVE
JUNCTION BOX



BURGESS MANUFACTURING, LTD. DO NOT SCALE DRAWING

THIS DOCUMENT, WHETHER CONTAINING PATENTABLE OR NONPATENTABLE SUBJECT MATTER, EMBODIES THE PROPRIETARY AND CONFIDENTIAL INFORMATION OF BURGESS MANUFACTURING, LTD. IT IS LOANED IN CONFIDENCE WITH THE UNDERSTANDING THAT IT WILL NOT BE REPRODUCED, USED OR DISCLOSED FOR ANY PURPOSE EXCEPT THE LIMITED PURPOSE FOR WHICH IT IS LOANED. THIS DOCUMENT SHALL BE RETURNED TO BURGESS MANUFACTURING, LTD. UPON DEMAND.

**BURGESS
DEGASSERS**

TITLE
BOOSTER ASSY, TURBO-VAC
BALDOR MOTOR, 575V, 60HZ, 55°C

REV.	DATE	DESCRIPTION	BY	CHKD
B	12NOV09	REDRAW, ADD MANIFOLD & GASKET ECR 1202	GDM	
A	11JAN03	ADD DECAL, ROTATION ITEM 18 ECR 663	GDM	

DRAWN BY:	GDM	DATE:	24 JAN 03	APP'D:	
MAT'L:	--	EST. WT.	130	DWG NO.	11608