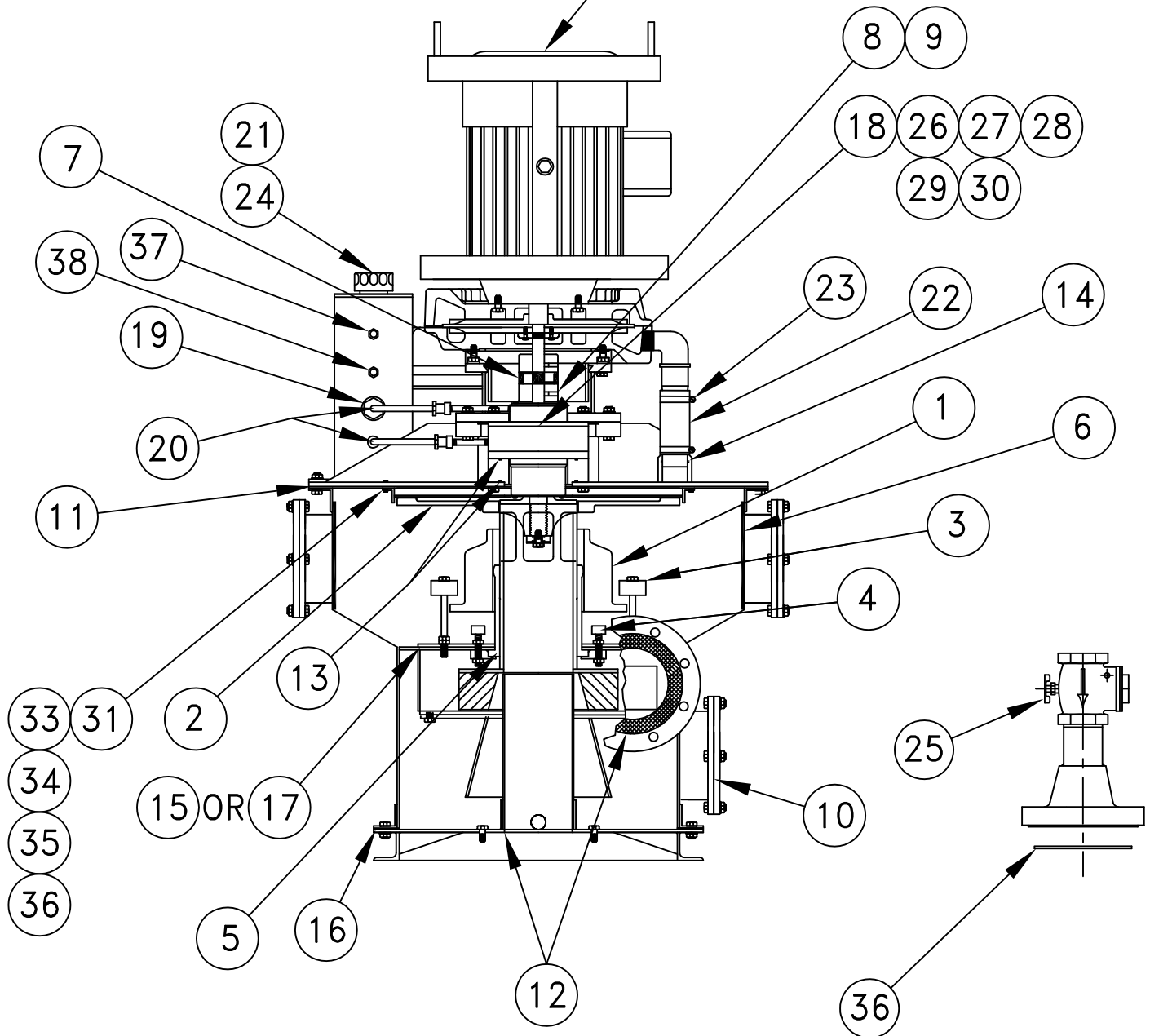


MOTOR VAC./BLOWER ASSY NOT INCLUDED IN KIT.
 MUST ORDER SEPARATELY, MUST SPECIFY DEGASSER SERIAL NO.
 AND/OR 1) VOLTAGE, 2) POWER (HP OR kw), 3) FREQUENCY (HZ)

MOTOR VAC./BLOWER ASSY



F	20 DEC 04	ADD ITEM 36, 37, & 38 ECR # 800	GDM	
E	04 OCT 04	REDRAW & ADD 10901 ECR # 785	GDM	
D	17 FEB 04	ADD 11067, 11483, 10922 ECR # 738	GDM	
REV.	DATE	DESCRIPTION	BY	CHECKED

BURGESS MANUFACTURING, LTD.

TITLE		SPARE PARTS - 5 YEARS	
		MODEL 1000	
DRAWN BY:	DATE:	DWG NO.	
JP	06-04-91	10934	
SCALE:	APP'D:		
NONE			

THIS DOCUMENT, WHETHER CONTAINING PATENTABLE OR NONPATENTABLE SUBJECT MATTER, EMBODIES THE PROPRIETARY AND CONFIDENTIAL INFORMATION OF BURGESS MANUFACTURING, LTD. IT IS LOANED IN CONFIDENCE WITH THE UNDERSTANDING THAT IT WILL NOT BE REPRODUCED, USED OR DISCLOSED FOR ANY PURPOSE EXCEPT THE LIMITED PURPOSE FOR WHICH IT IS LOANED. THIS DOCUMENT SHALL BE RETURNED TO BURGESS MANUFACTURING, LTD. UPON DEMAND.

